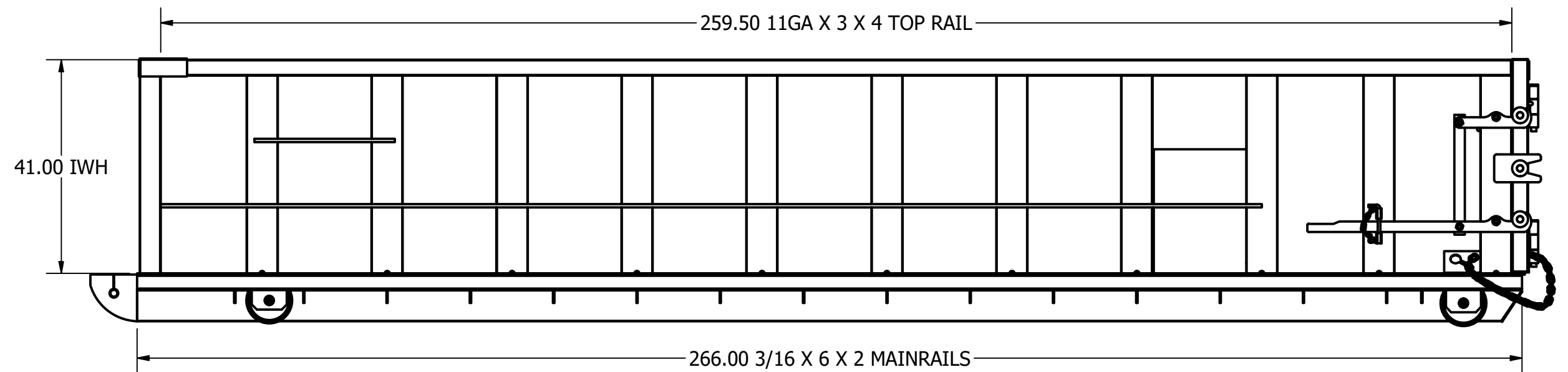
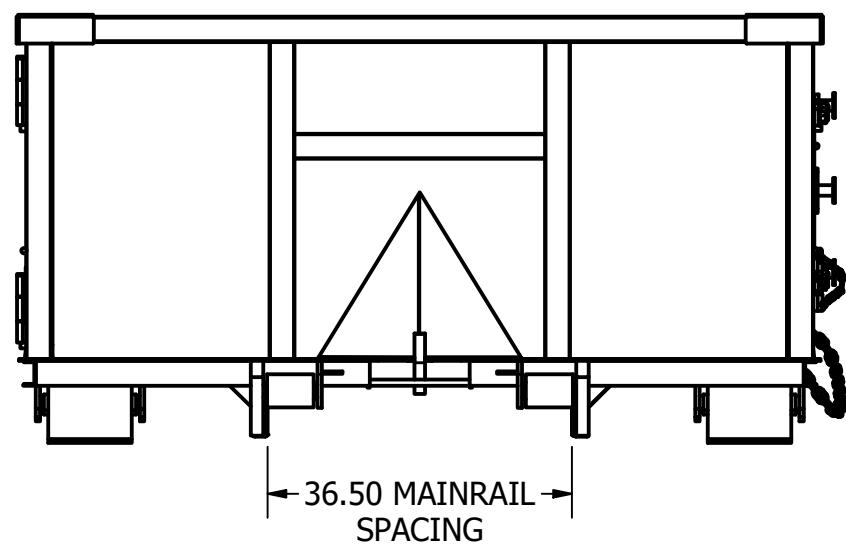
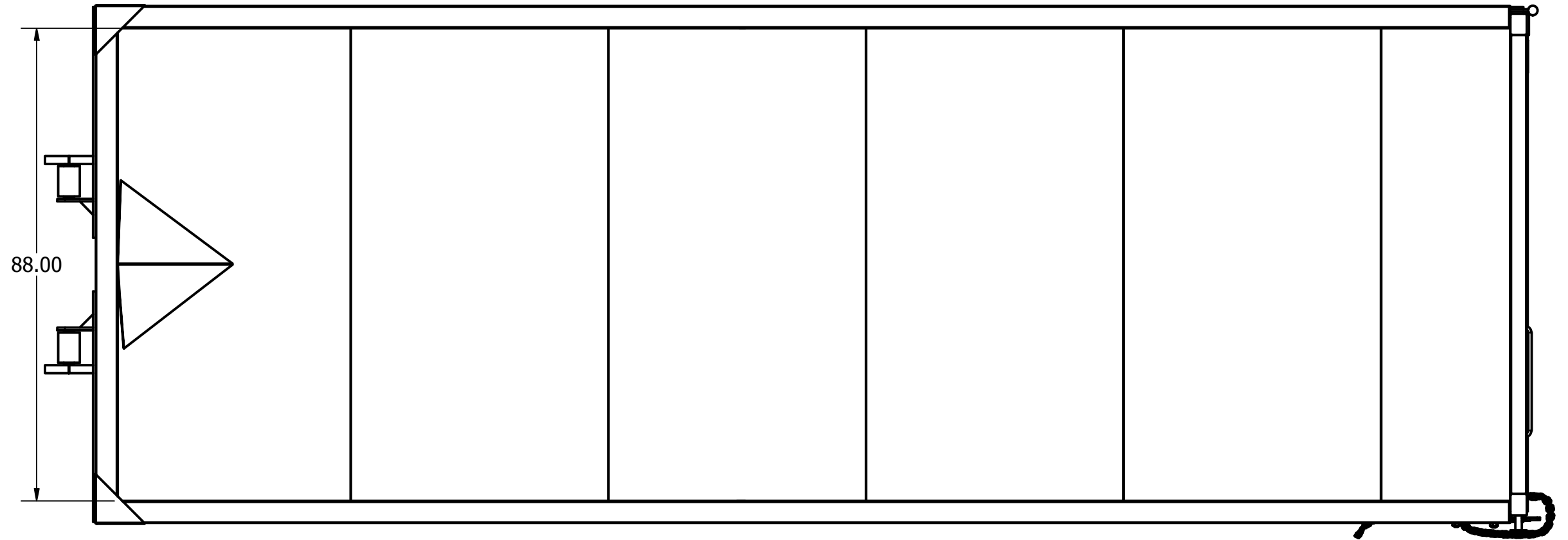


Critical Materials:
7GA Floor Sheets and Mainrails
16" OC Floor Channel Spacing
12GA Walls, Door, and Posts
11GA Tube Top Rails

20CY-22S-41I-REC-CAB-OPT-SD



DRAWN CELY	7/27/2021	CUSTOM CONTAINER SOLUTIONS		
CHECKED		TITLE		
QC		20CY-22S-41I-REC-CAB-OPT-SD		
MFG		SIZE	DWG NO	REV
APPROVED		A	CCS STANDARD 20CY REC SD	
		SCALE	SHEET 1 OF 5	