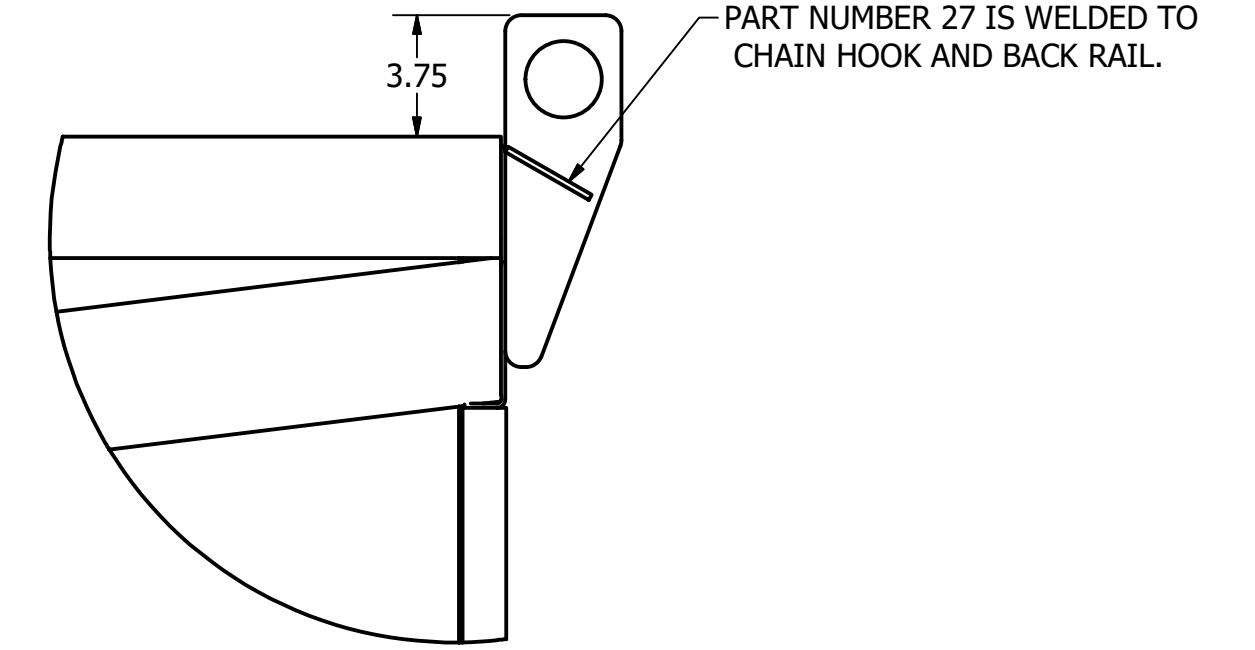
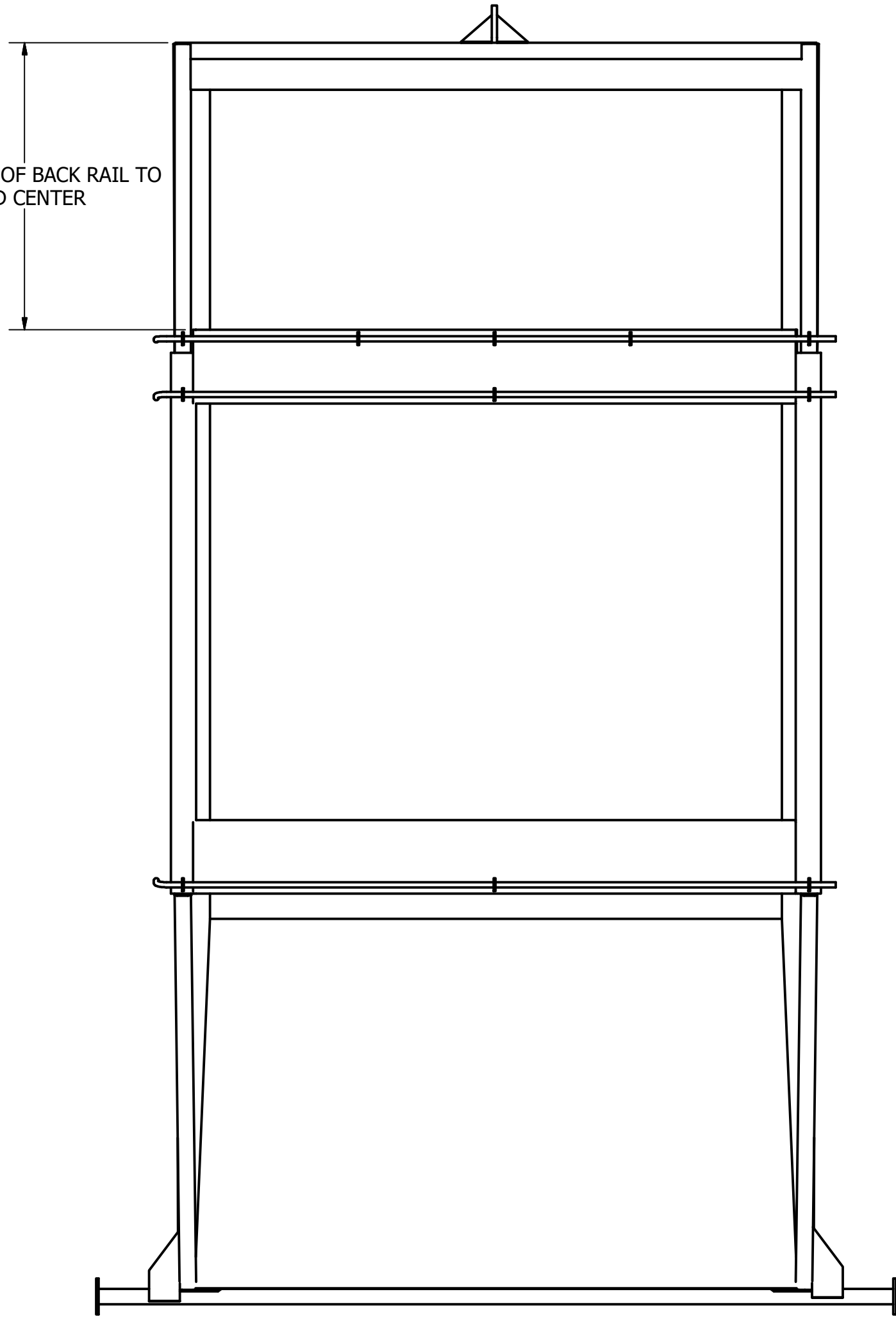


8YRD REAR LOAD HIGH

NOTES:

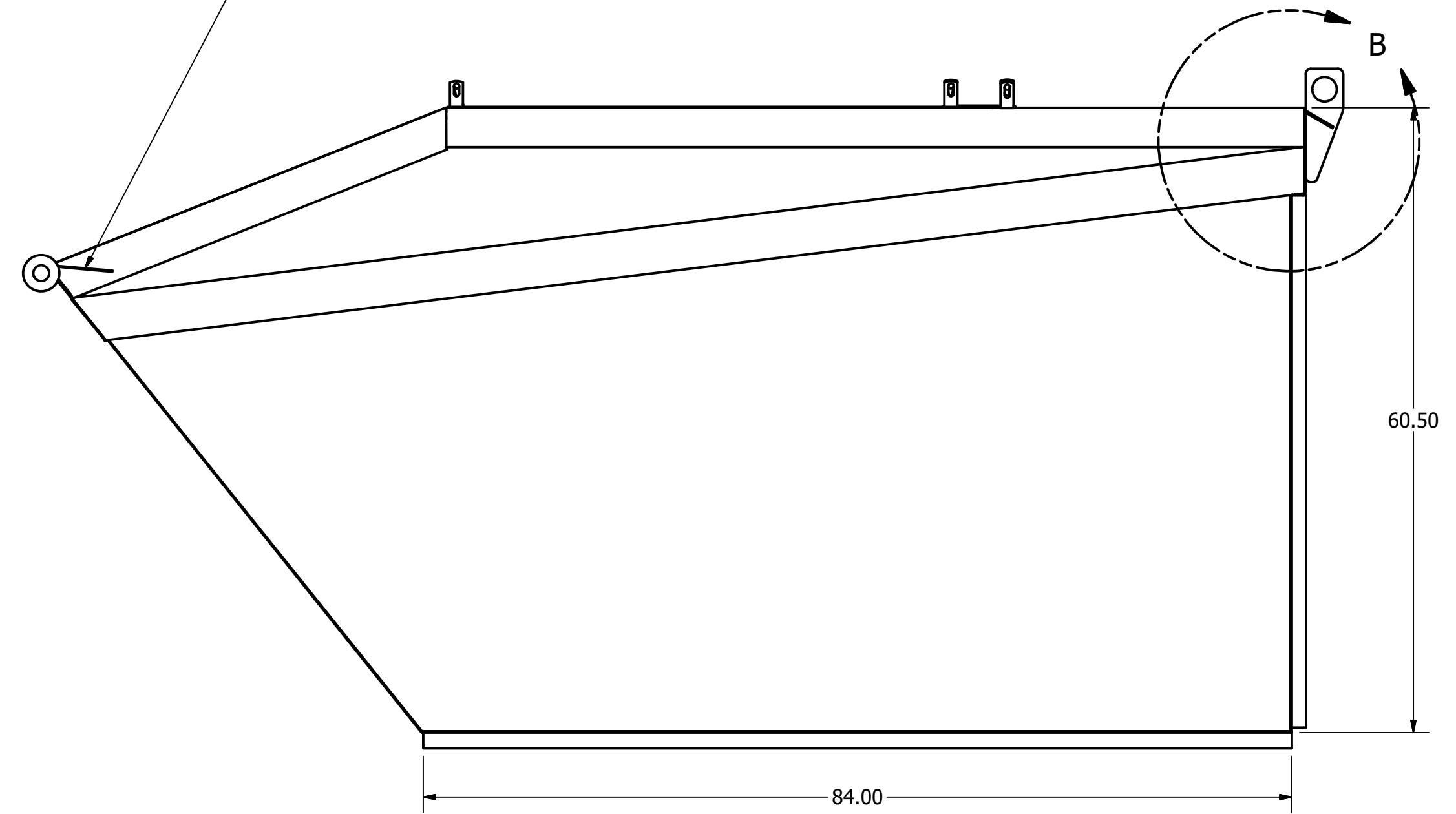
1. DRAIN HOLES IN FLOOR IS LOCATED 10 INCHES FROM LEFT SIDE AND 2 INCHES FROM BACK
2. LID TABS ARE SET BACK 0.25" FROM EDGE OF LID CENTERS
3. NOTCHED SIDE OF LID ANGLE (18 & 19) IS TOWARDS REAR OF CAN
4. LID ANGLES (18 & 19) ARE SITTING ON OUTSIDE OF CAN TRUNNION BAR (14) IS CENTERED WITH FRONT EDGE OF CAN
5. LID TABS ARE POSITIONED SO LIDS CAN BE PUT IN

28.00 EDGE OF BACK RAIL TO EDGE OF LID CENTER



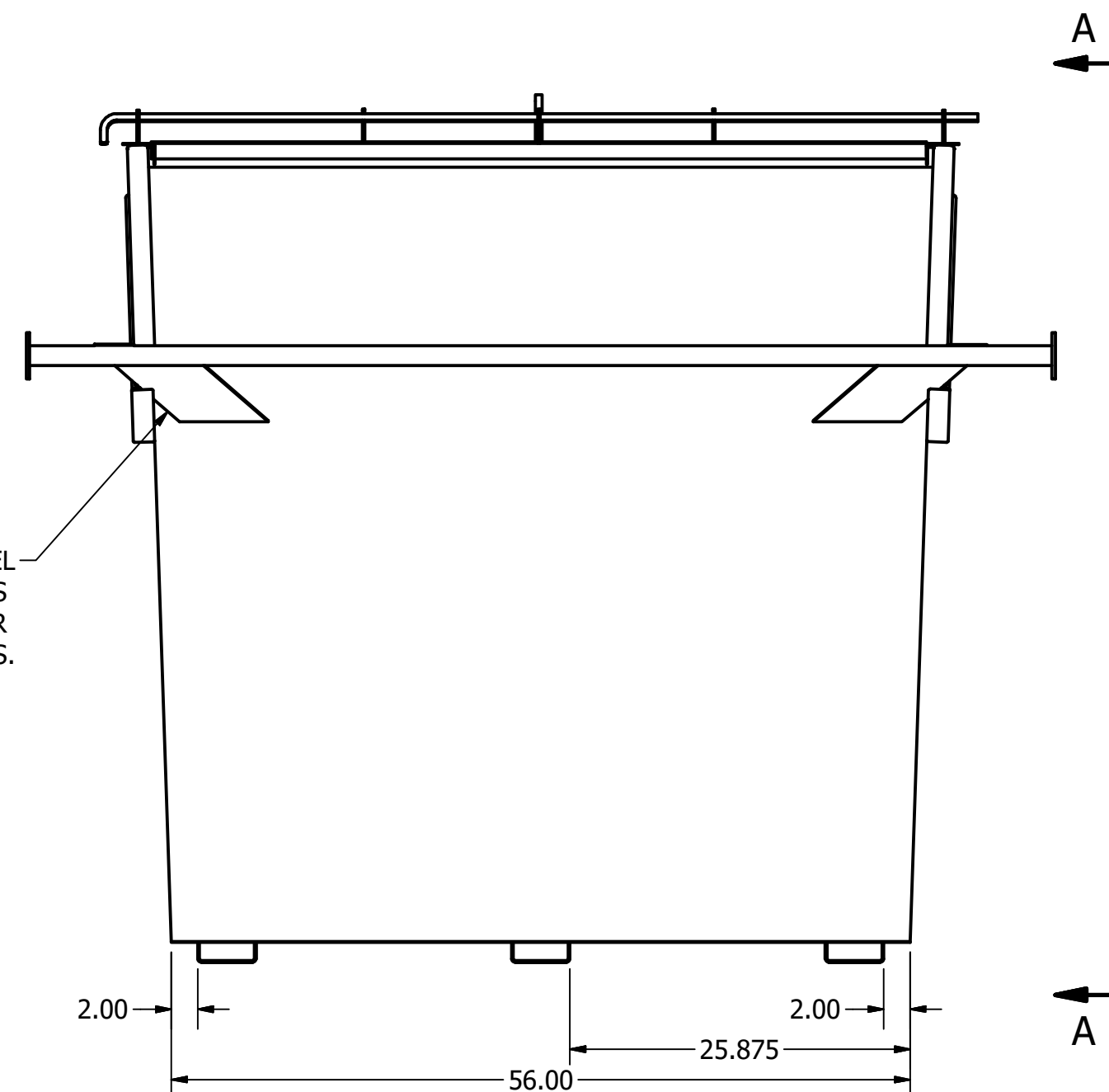
DETAIL B
SCALE 1 / 6

PART NUMBER 13 IS WELDED TO SIDE RAIL AND TRUNNION BAR



VIEW A-A
SCALE 1/12

PART NUMBER 13'S TOP EDGE IS PARALLEL WITH FRONT SHEET TOP EDGE. STICKS UP PAST FRONT SHEET ENOUGH TO COVER FRONT OF SIDE RAILS.



DRAWN ELY C.M.	6/17/2020	CCS	
CHECKED		TITLE	
QA		8YRD REAR LOAD HIGH	
MFG			
APPROVED		SIZE A	DWG NO 8YRD REAR LOAD HIGH
		SCALE 1/12	REV SHEET 1 OF 3