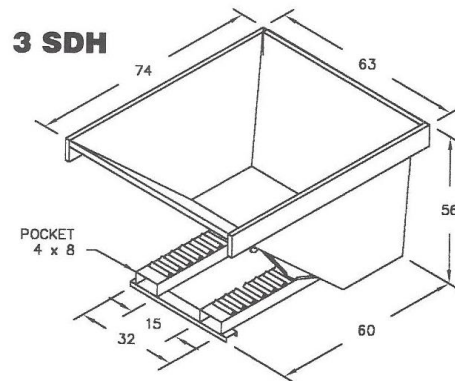
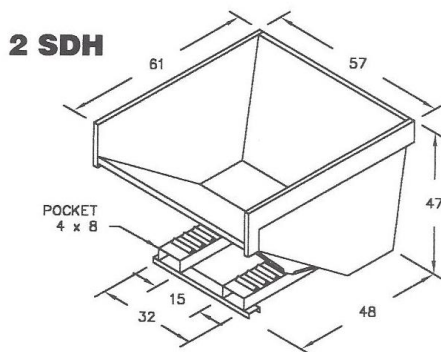
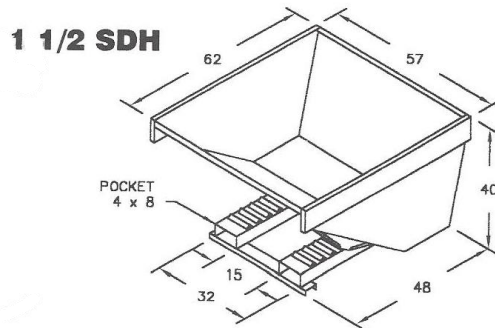
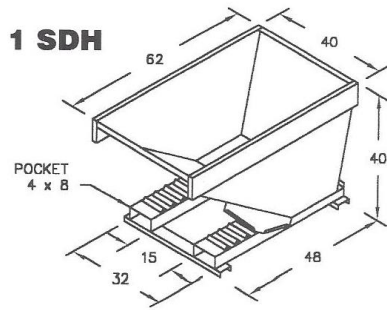




Custom Container Solutions - CCS - a quality manufacturer of custom and standard steel roll offs, front load, rear load and specialty containers, serving the environmental, construction, energy, waste and recycling industries. Check us out at our website today.

www.CustomContainerSolutions.com

Self-Dumping Hopper



Specifications:

- 12 OR 7 GAUGE STEEL BODIES AVAILABLE
- 10 GAUGE STEEL ROCKER ASSEMBLY
- 7 GAUGE STEEL BASE
- SPRING LOADED SELF LOCKING LATCH
- 1/2 INCH STEEL SLOTTED STOP
- PAINTED ONE BASIC COLOR

SHIP WEIGHT

SIZE	12 GA BODY	7 GA BODY
1 YARD	470#	600#
1 1/2 YARD	505#	670#
2 YARD	545#	735#
3 YARD	680#	955#