

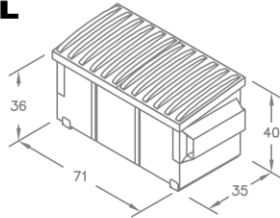


Custom Container Solutions - CCS - a quality manufacturer of custom and standard steel roll offs, front load, rear load and specialty containers, serving the environmental, construction, energy, waste and recycling industries. Check us out at our website today.

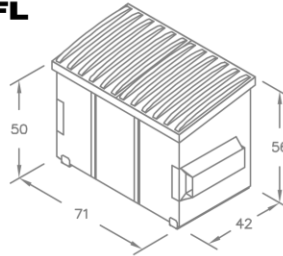
www.CustomContainerSolutions.com

Front Load Container

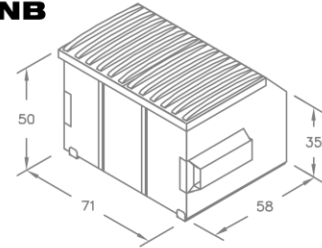
2FL



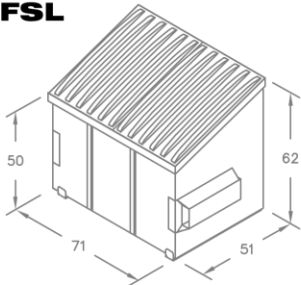
3FL



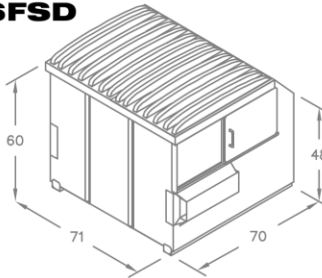
4FNB



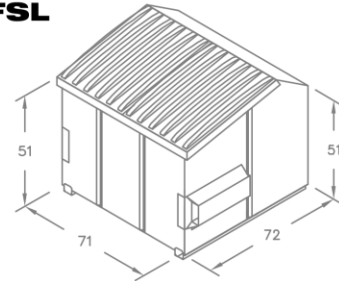
4FSL



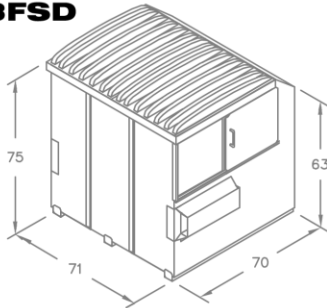
6FSD



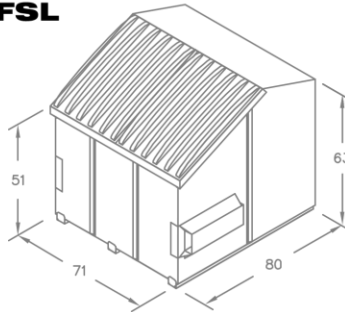
6FSL



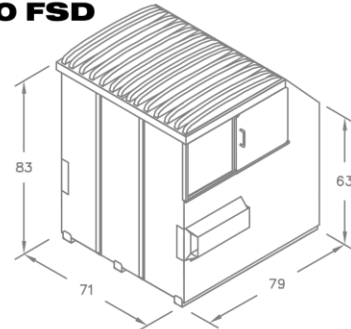
8FSD



8FSL



10 FSD



Specifications:

- 10 GAUGE FLOOR
- 12 GAUGE SIDES
- 10 GAUGE INTERLOCKING RAILS
- 7 GAUGE CAPPED SKIDS
- 1 INCH THREADED DRAIN HOLE
- PLASTIC LIDS
- WATERTIGHT SEAMS
- RUST PREVENTIVE PAINT
- MEETS ALL FEDERAL SAFETY SPECIFICATIONS
- CASTERS AND PADS AVAILABLE ON 2-4 YARD

SHIP WEIGHT (LBS)

2 YARD	486
3 YARD	669
4 YARD NOTCH BACK	764
4 YARD SLANT	762
6 YARD SIDE DOOR	960
6 YARD SLANT	953
8 YARD SIDE DOOR	1125
8 YARD SLANT	1133
10 YARD SIDE DOOR	1280