



Custom Container Solutions - CCS - a quality manufacturer of custom and standard steel roll off containers, serving the environmental, construction, energy, waste and recycling industries. Check us out at our website today.

[www.CustomContainerSolutions.com](http://www.CustomContainerSolutions.com)

## Double Rolling Roof Sludge Container



### Specifications:

Floor Plate	7 Gauge Sheet (upgrade available)
Cross Members	3" Structural Channel on 12" Centers
Side Rails	3" Structural Channel
Gussets	7 Gauge gusset on every channel
Main Rails	6"x 2"x 1/4" Structural Tubing
Wheels	8"x 10" Heavy Duty Ground Rollers Front & Rear
Bull Noses	1-1/2" Plate
Guide Rollers	4"x 6" Heavy Duty Tubing with grease fittings
Roller Arms	1/2" Plate
Hook Plate	1/2" Plate 12"x 38" Welded Solid Rail to Rail
Cable Hook	1-1/2" High Tensile Plate Inserted through hook plate, locked in and welded fully on both sides
Side Sheets	10 Gauge
Side Posts/Rear Frame	4"x 10"x 7 Gauge Formed
Top Rails	4"x 3"x 11 Gauge Structural Tubing
Tailgate Sheet	10 Gauge
Door Framing	4"x 3" x 11 Gauge Structural Tubing
Reinforcing	4"x 3" x 11 Gauge Structural Tubing
Hinge Plates	1"x 4" Flat Bar with slotted sleeves
Gate System	Dump or Traditional, 1/2" Heavy Duty Self Aligning Lift with 3 Independent Ratchet Binders with chains
Safety Chain	3/8" High Test Chain w/ Receptors on both sides
Roof/ Tailgate Seal	Petroleum Resistant Rubber Gasket Seal
Roof Lids	(2) 3"x 4" Tubing Frame and 10 Gauge Sheet Rolling Tops (58"x 86")
Roof Opening	1 Opening 82" x 109"
Paint	PPG Low VOC Acrylic Enamel

**Options** Hook lift, Lighter or Heavier Gauge for Floors, Sides, Top Rails & Cross Member Spacing

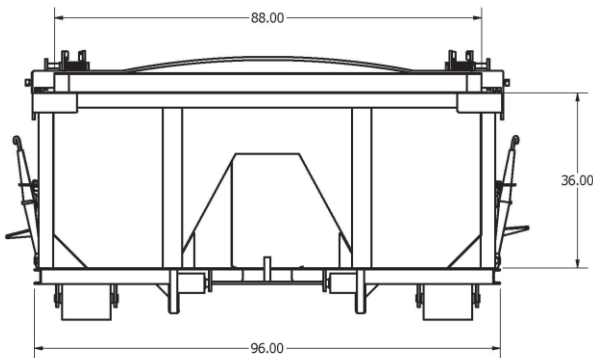




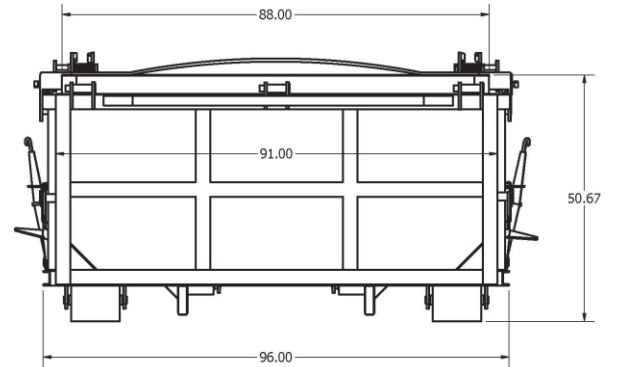
Custom Container Solutions - CCS - a quality manufacturer of custom and standard steel roll off containers, serving the environmental, construction, energy, waste and recycling industries. Check us out at our website today.

[www.CustomContainerSolutions.com](http://www.CustomContainerSolutions.com)

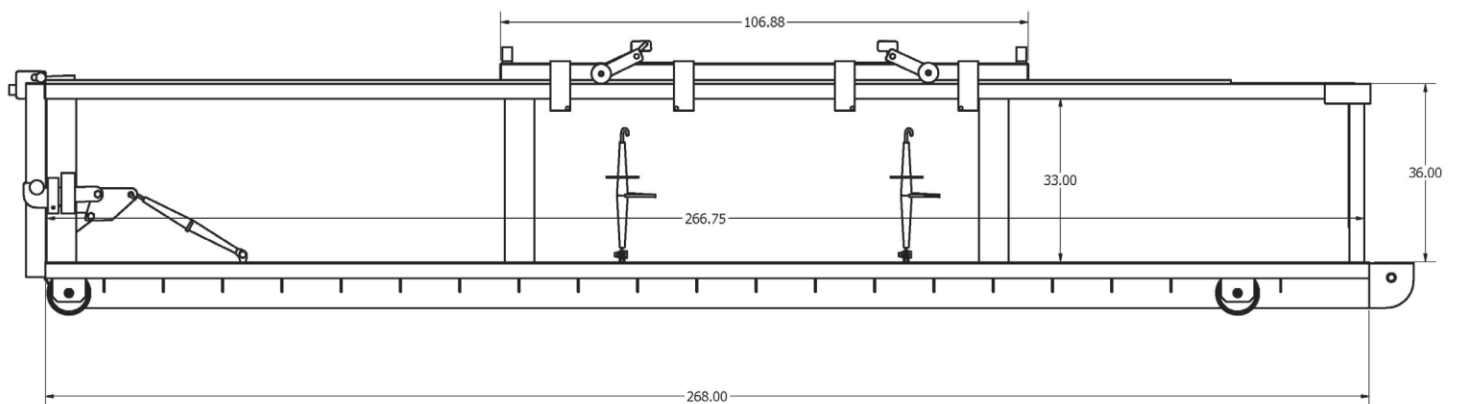
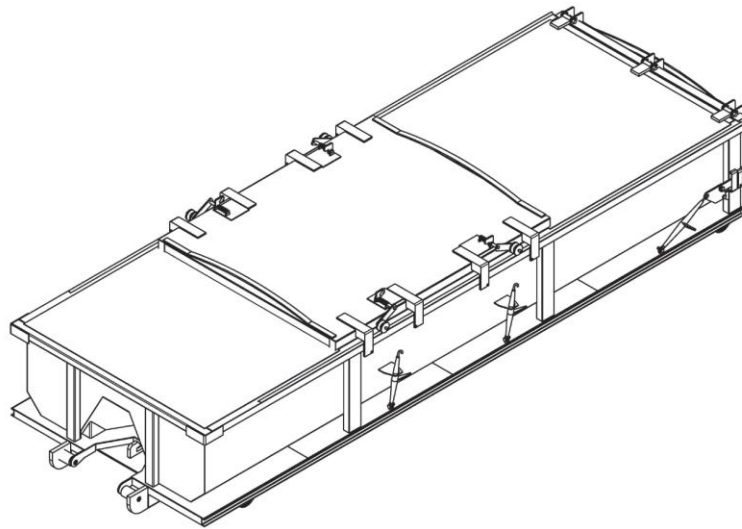
## Design Documents and Specifications



**FRONT VIEW**



**REAR VIEW**



**LEFT SIDE VIEW**